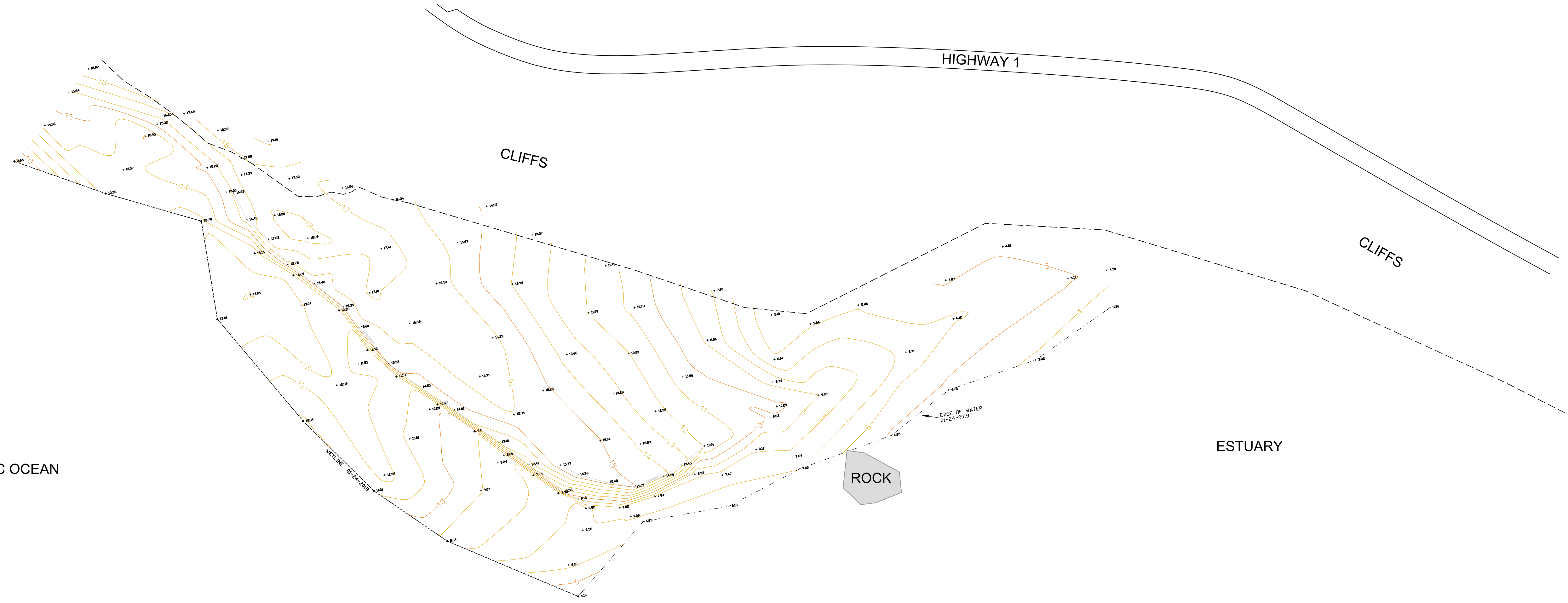


Appendix 4-1

Monthly Surveys of Beach Topography and Outlet Channel, 2019



PACIFIC OCEAN

ESTUARY

ROCK

ESTUARY

OUTLET CHANNEL

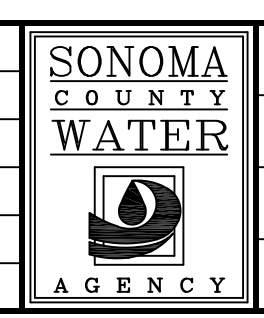
PACIFIC OCEAN

CONCRETE JETTY
JETTY

NOTES:

1. VERTICAL DATUM FOR THIS SURVEY IS BASED UPON THE NATIONAL GEODETIC VERTICAL DATUM OF 1929 (NGVD29), BEING THE SAME VERTICAL DATUM AS THE STAFF GAGE LOCATED AT THE JENNER VISITORS CENTER.

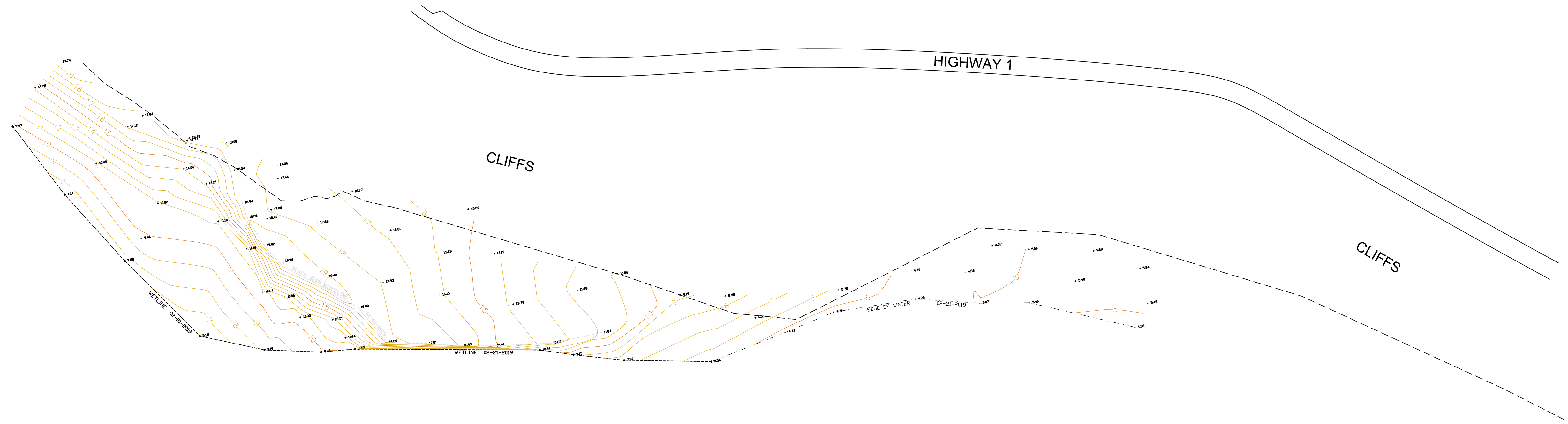
NO.	DATE		BY



SCALE: AS NOTED	APPROVED DEPUTY CHIEF ENGR:
DATE: AS NOTED	SUBMITTED
DRAWN: EKM	DESIGNED
CHECKED: JRM	

RUSSIAN RIVER INSTREAM FLOW RESTORATION (RRIFR) PROGRAM MONTHLY SURVEY OF BEACH TOPOGRAPHY AND OUTLET CHANNEL: Jan. 24, 2019	
FILE NAME: CONTRACT NO. XXX	DRAWING NUMBER
	SHEET NO. 1 OF 1

\\SD-Data\Survey\Land Projects\RRIFR-EstuaryManagement\AndMonitoring_P\N73338.dwg 2/20/19\SandBar012419.dwg



PACIFIC OCEAN

ROCK

ESTUARY

ESTUARY

OUTLET CHANNEL

PACIFIC OCEAN

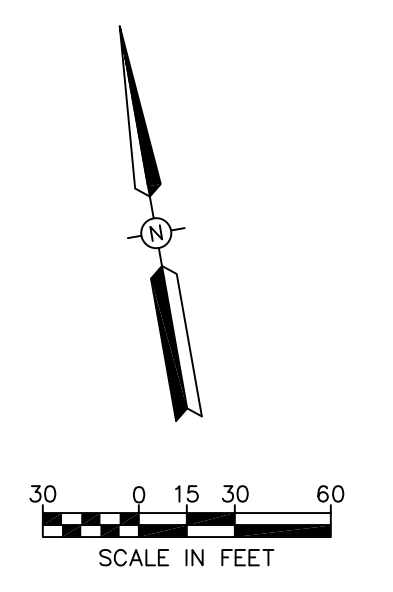
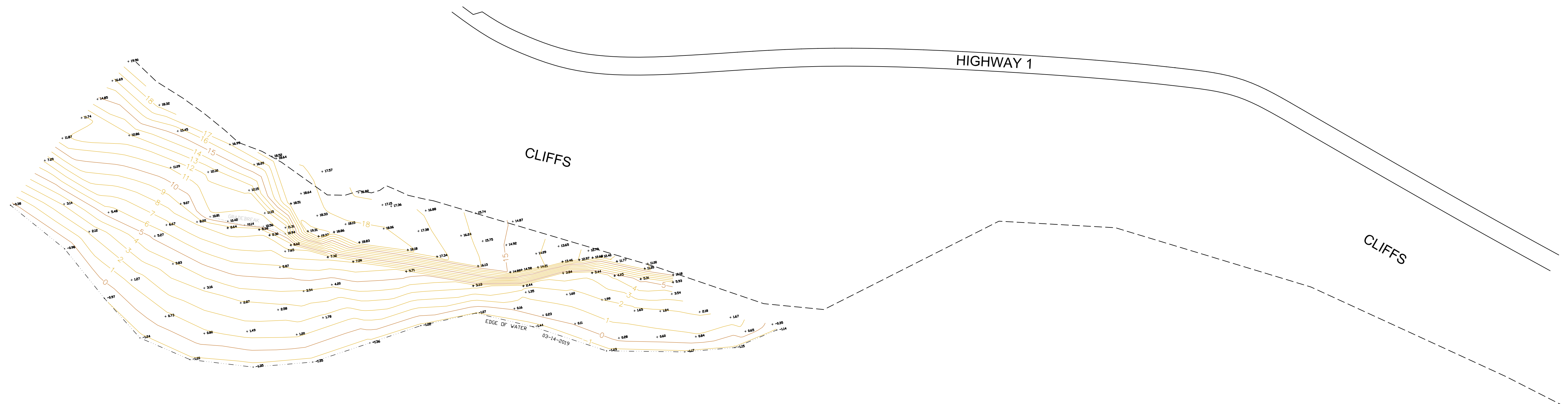
CONCRETE JETTY
JETTY

NOTES:

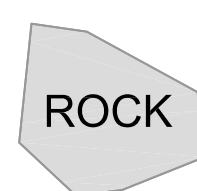
1. VERTICAL DATUM FOR THIS SURVEY IS BASED UPON THE NATIONAL GEODETIC VERTICAL DATUM OF 1929 (NGVD29), BEING THE SAME VERTICAL DATUM AS THE STAFF GAGE LOCATED AT THE JENNER VISITORS CENTER.

			SCALE: AS NOTED	APPROVED DEPUTY CHIEF ENGR:	RUSSIAN RIVER INSTREAM FLOW RESTORATION (RRIFR) PROGRAM MONTHLY SURVEY OF BEACH TOPOGRAPHY AND OUTLET CHANNEL: Feb. 21, 2019	
			DATE: AS NOTED	SUBMITTED		
			DRAWN: EKM	DESIGNED	FILE NAME:	DRAWING NUMBER
NO.	DATE		BY	CHECKED: JRM	CONTRACT NO. XXX	SHEET NO. 1 OF 1

\\SD-Data\Survey\Land Projects\RRIFR-EstuaryManagement\AnaMonitoring_P173338.dwg 2/21/19\SandBar022119.dwg

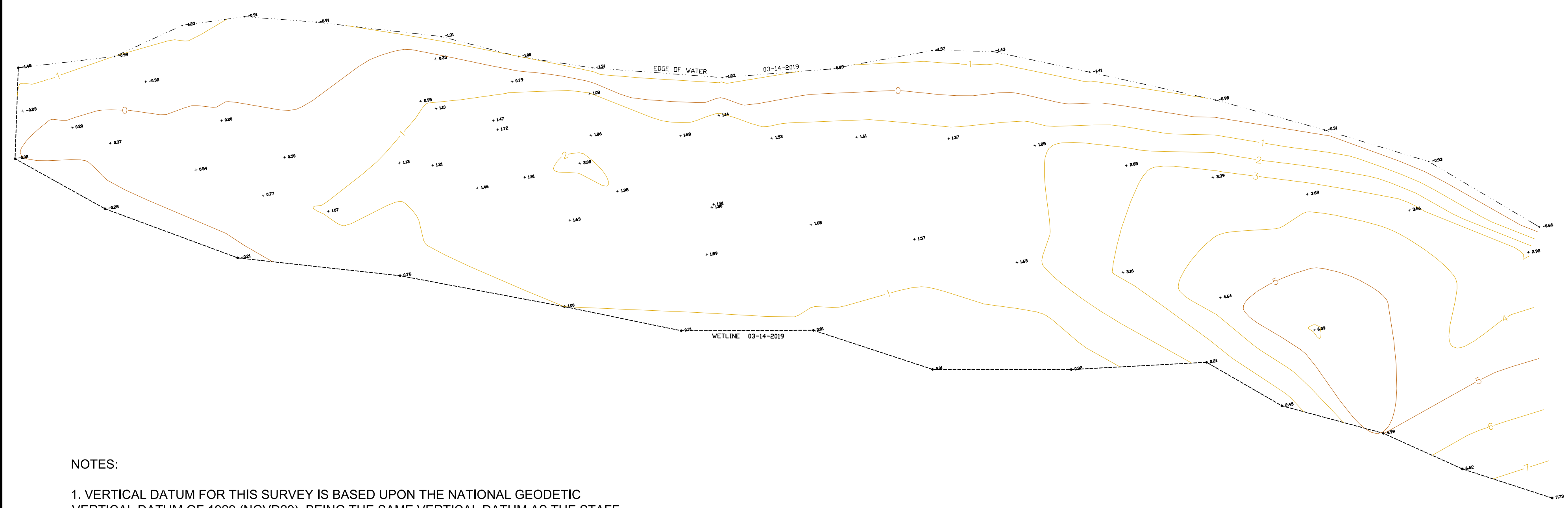


PACIFIC OCEAN



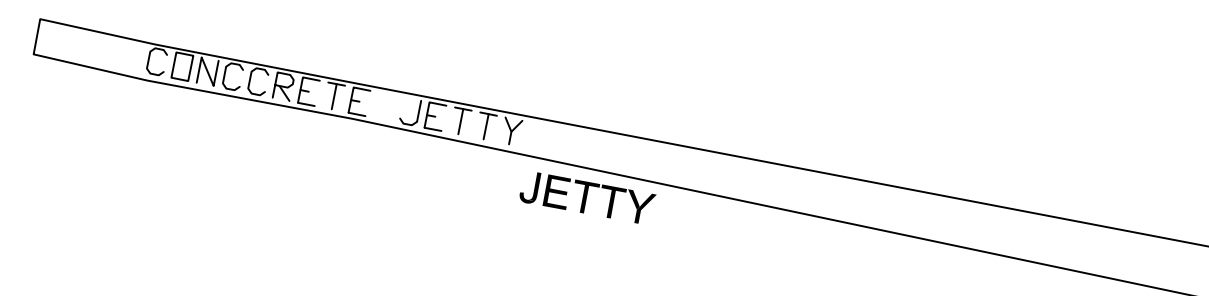
ESTUARY

OUTLET CHANNEL



ESTUARY

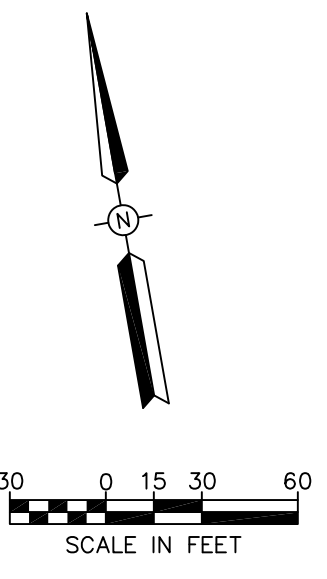
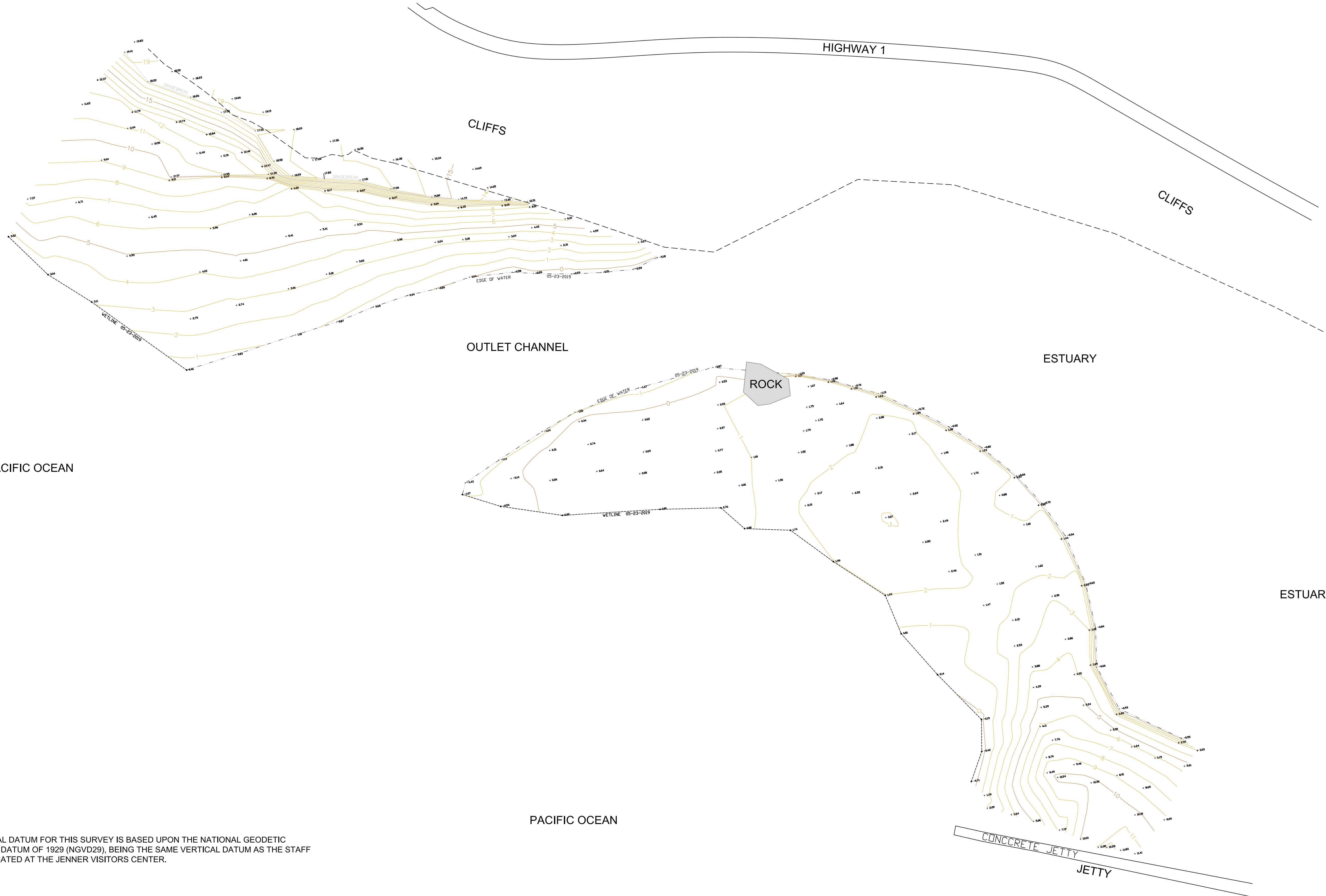
PACIFIC OCEAN



NOTES:
 1. VERTICAL DATUM FOR THIS SURVEY IS BASED UPON THE NATIONAL GEODETIC VERTICAL DATUM OF 1929 (NGVD29), BEING THE SAME VERTICAL DATUM AS THE STAFF GAGE LOCATED AT THE JENNER VISITORS CENTER.

\\SD-Data\Survey\Land Projects\RRIFR-EstuaryManagement\AnnlMonitoring_P1N73339.dwg 2/20/19\SanBar031419.dwg

			SCALE: AS NOTED	APPROVED DEPUTY CHIEF ENGR:	RUSSIAN RIVER INSTREAM FLOW RESTORATION (RRIFR) PROGRAM MONTHLY SURVEY OF BEACH TOPOGRAPHY AND OUTLET CHANNEL: Mar.14, 2019	
			DATE: AS NOTED	SUBMITTED		
			DRAWN: EKM	DESIGNED	FILE NAME:	DRAWING NUMBER
			CHECKED: JRM		CONTRACT NO. XXX	
NO.	DATE	BY				



PACIFIC OCEAN

OUTLET CHANNEL

HIGHWAY 1

CLIFFS

CLIFFS

ESTUARY

ROCK

ESTUARY

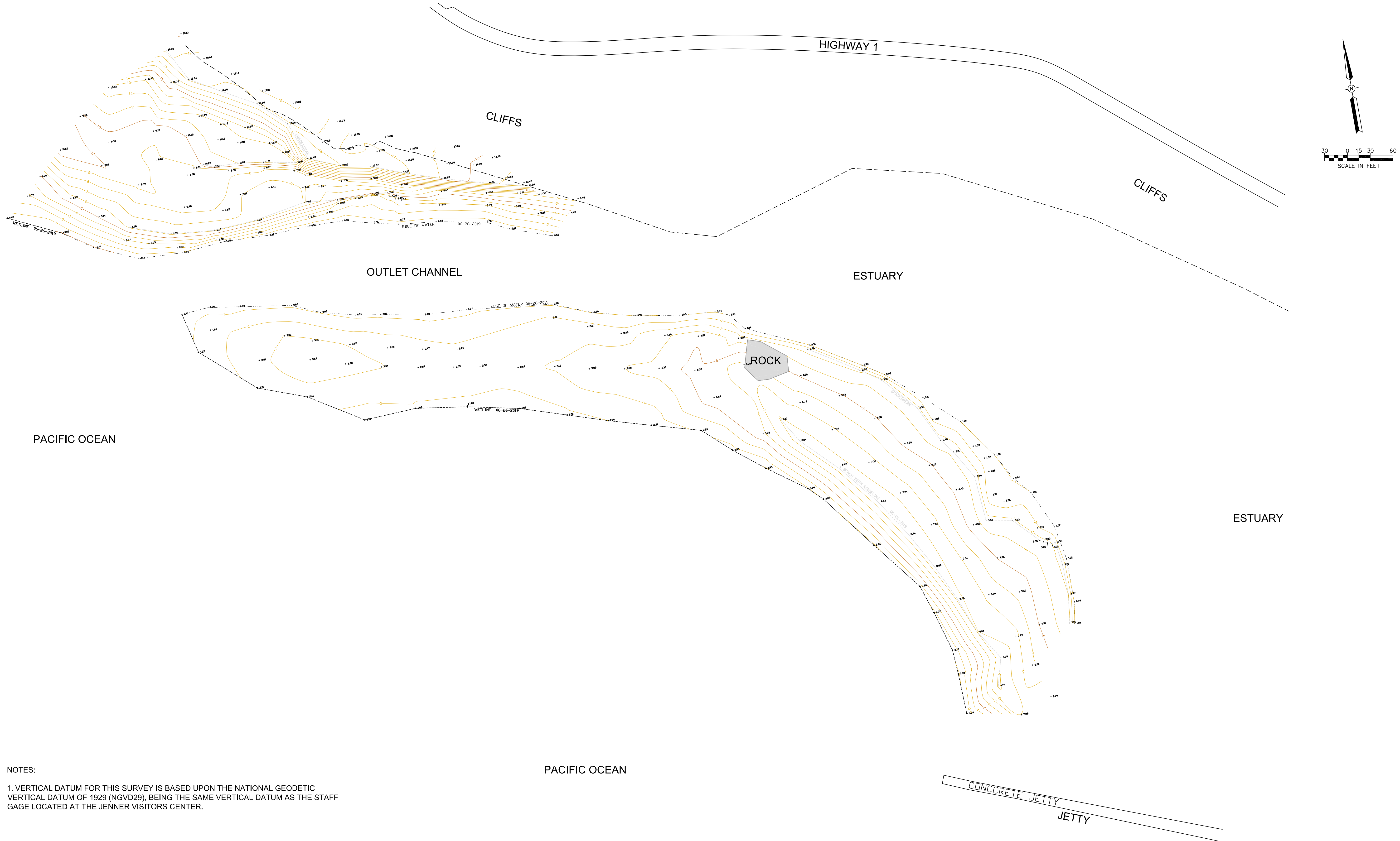
PACIFIC OCEAN

CONCRETE JETTY
JETTY

NOTES:
1. VERTICAL DATUM FOR THIS SURVEY IS BASED UPON THE NATIONAL GEODETIC VERTICAL DATUM OF 1929 (NGVD29), BEING THE SAME VERTICAL DATUM AS THE STAFF GAGE LOCATED AT THE JENNER VISITORS CENTER.

				SCALE: AS NOTED	APPROVED DEPUTY CHIEF ENGR:	RUSSIAN RIVER INSTREAM FLOW RESTORATION (RRIFR) PROGRAM MONTHLY SURVEY OF BEACH TOPOGRAPHY AND OUTLET CHANNEL: May 23, 2019	
				DATE: AS NOTED	SUBMITTED		
				DRAWN: EKM	DESIGNED		
				CHECKED: JRM			FILE NAME: CONTRACT NO. XXX
NO.	DATE	BY		DRAWING NUMBER		SHEET NO. 1 OF 1	

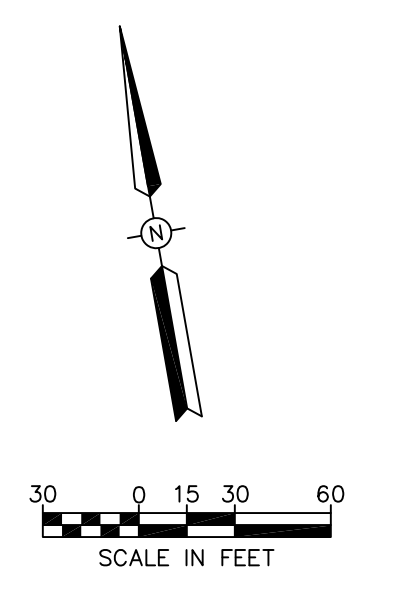
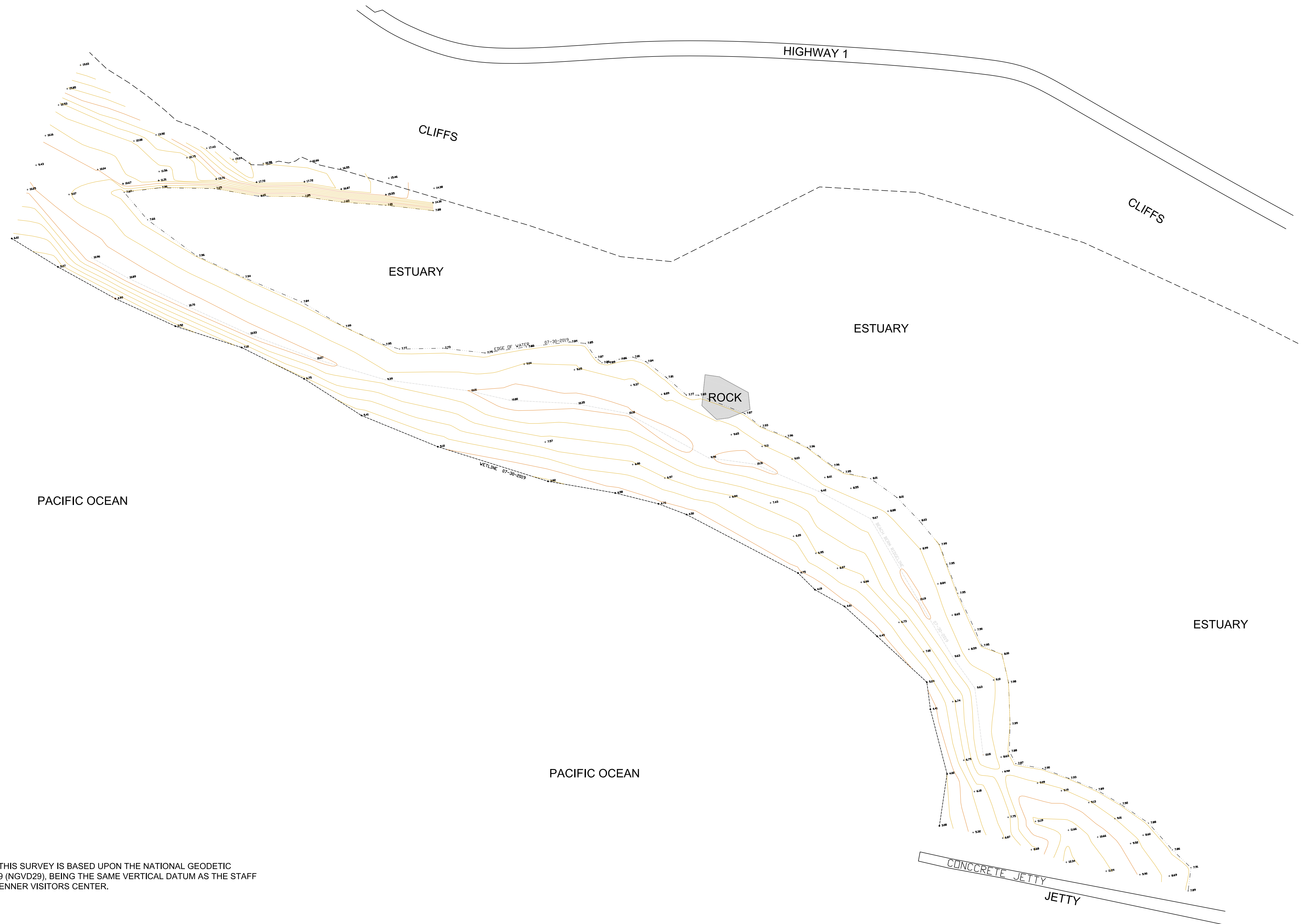
\\SD-Data\Survey\Land Projects\RRIFR-EstuaryManagement\AnnlMonitoring_P173338.dwg \2019\SandBar052319.dwg



NOTES:
 1. VERTICAL DATUM FOR THIS SURVEY IS BASED UPON THE NATIONAL GEODETIC VERTICAL DATUM OF 1929 (NGVD29), BEING THE SAME VERTICAL DATUM AS THE STAFF GAGE LOCATED AT THE JENNER VISITORS CENTER.

				SCALE: AS NOTED	APPROVED DEPUTY CHIEF ENGR:	RUSSIAN RIVER INSTREAM FLOW RESTORATION (RRIFR) PROGRAM MONTHLY SURVEY OF BEACH TOPOGRAPHY AND OUTLET CHANNEL: June 26, 2019	
				DATE: AS NOTED	SUBMITTED		
				DRAWN: EKM	DESIGNED		
				CHECKED: JRM			FILE NAME: CONTRACT NO. XXX
NO.	DATE	BY		DRAWING NUMBER		SHEET NO. 1 OF 1	

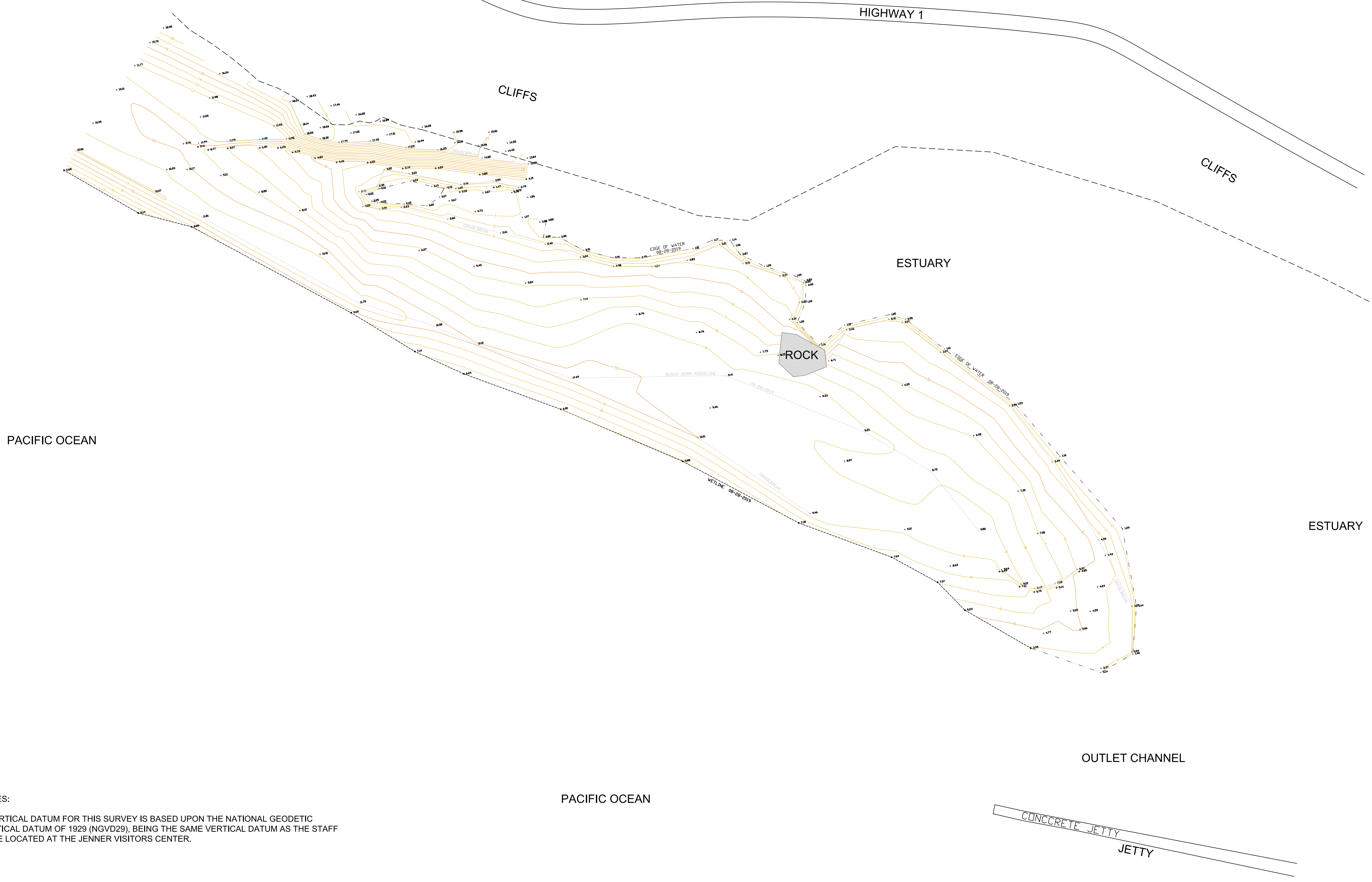
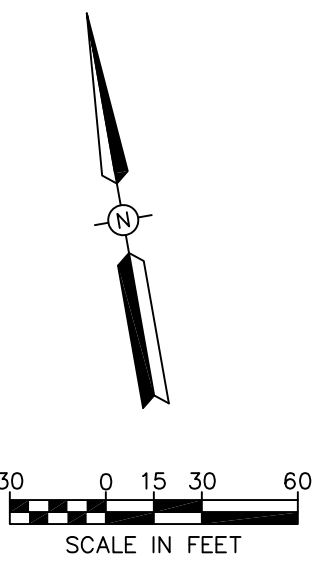
\\SD-Data\Survey\Land Projects\RRIFR-EstuaryManagement\AnnlMonitoring_P1N73338.dwg 2/20/19\SandBar062619.dwg



NOTES:
 1. VERTICAL DATUM FOR THIS SURVEY IS BASED UPON THE NATIONAL GEODETIC VERTICAL DATUM OF 1929 (NGVD29), BEING THE SAME VERTICAL DATUM AS THE STAFF GAGE LOCATED AT THE JENNER VISITORS CENTER.

\\SD-Data\Survey\Land Projects\RRIFR-EstuaryManagement\AnaMonitoring_P1N73338.dwg 2/20/19\SanBar073019.dwg

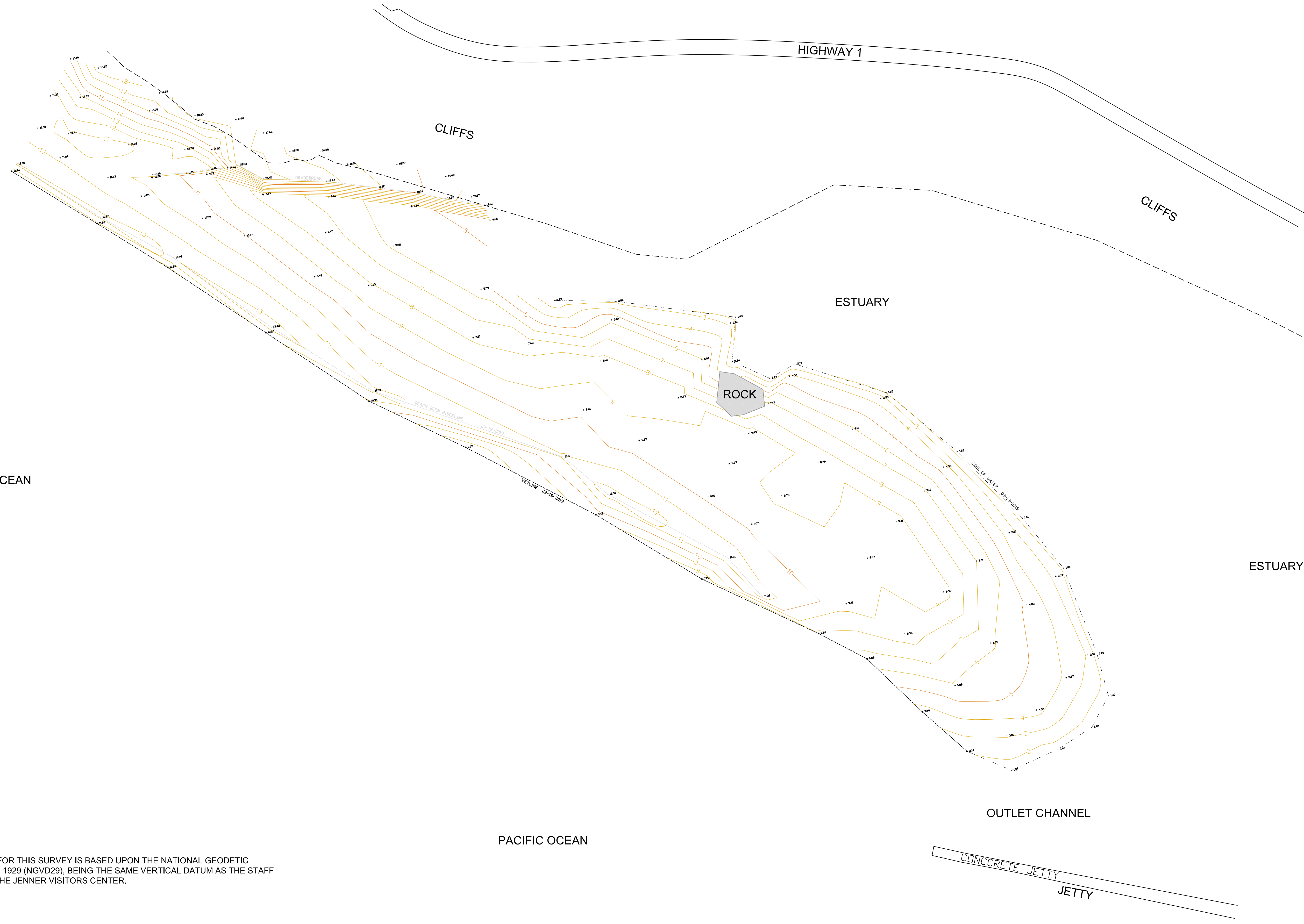
			SCALE: AS NOTED	APPROVED DEPUTY CHIEF ENGR:	RUSSIAN RIVER INSTREAM FLOW RESTORATION (RRIFR) PROGRAM MONTHLY SURVEY OF BEACH TOPOGRAPHY AND OUTLET CHANNEL: July 30, 2019	
			DATE: AS NOTED	SUBMITTED		
			DRAWN: EKM	DESIGNED	FILE NAME:	DRAWING NUMBER
NO.	DATE		BY	CHECKED: JRM	CONTRACT NO. XXX	SHEET NO. 1 OF 1



NOTES:
 1. VERTICAL DATUM FOR THIS SURVEY IS BASED UPON THE NATIONAL GEODETIC VERTICAL DATUM OF 1929 (NGVD29), BEING THE SAME VERTICAL DATUM AS THE STAFF GAGE LOCATED AT THE JENNER VISITORS CENTER.

			SCALE: AS NOTED	APPROVED DEPUTY CHIEF ENGR:	RUSSIAN RIVER INSTREAM FLOW RESTORATION (RRIFR) PROGRAM MONTHLY SURVEY OF BEACH TOPOGRAPHY AND OUTLET CHANNEL: Aug. 28, 2019	
			DATE: AS NOTED	SUBMITTED		
			DRAWN: EKM	DESIGNED	FILE NAME:	DRAWING NUMBER
			CHECKED: JRM		CONTRACT NO. XXX	
NO.	DATE	BY				

\\SD-Data\Survey\Land Projects\RRIFR-EstuaryManagement\AnaMonitoring_P173338.dwg \2019\SanBar082819.dwg



PACIFIC OCEAN

ESTUARY

ROCK

ESTUARY

OUTLET CHANNEL

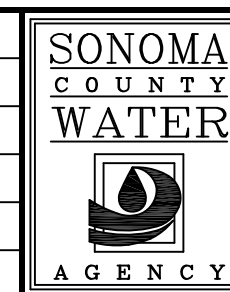
PACIFIC OCEAN

CONCRETE JETTY
JETTY

NOTES:

1. VERTICAL DATUM FOR THIS SURVEY IS BASED UPON THE NATIONAL GEODETIC VERTICAL DATUM OF 1929 (NGVD29), BEING THE SAME VERTICAL DATUM AS THE STAFF GAGE LOCATED AT THE JENNER VISITORS CENTER.

NO.	DATE	BY

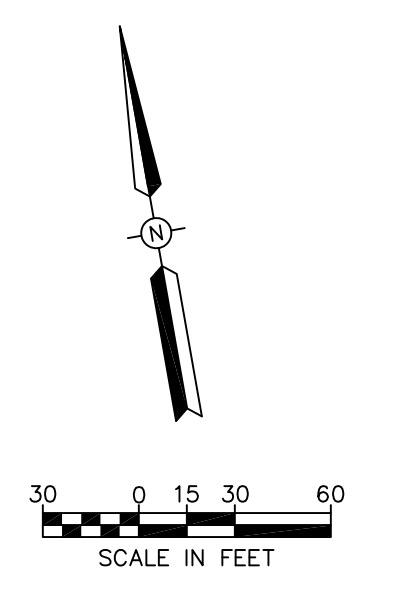


SCALE: AS NOTED
DATE: AS NOTED
DRAWN: EKM
CHECKED: JRM

APPROVED DEPUTY CHIEF ENGR:
SUBMITTED
DESIGNED

RUSSIAN RIVER INSTREAM FLOW RESTORATION (RRIFR) PROGRAM
MONTHLY SURVEY OF BEACH TOPOGRAPHY
AND OUTLET CHANNEL: Sept. 19, 2019
FILE NAME:
CONTRACT NO. XXX
DRAWING NUMBER
SHEET NO. 1 OF 1

\\SD-Data\Survey\Land Projects\RRIFR-EstuaryManagement\AnaMonitoring_P173338.dwg 2019\SanBar081919.dwg



PACIFIC OCEAN

ESTUARY

ROCK

ESTUARY

PACIFIC OCEAN

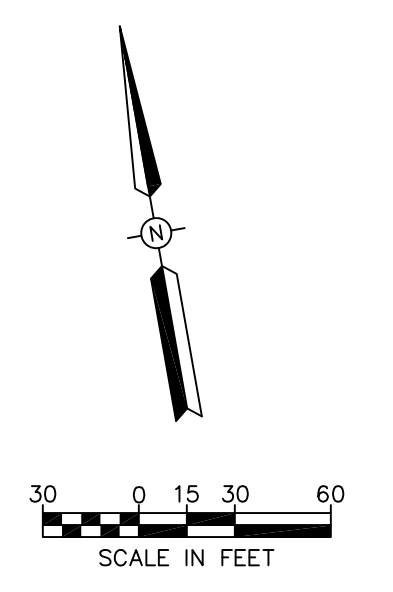
OUTLET CHANNEL

CONCRETE JETTY
JETTY

NOTES:
1. VERTICAL DATUM FOR THIS SURVEY IS BASED UPON THE NATIONAL GEODETIC VERTICAL DATUM OF 1929 (NGVD29), BEING THE SAME VERTICAL DATUM AS THE STAFF GAGE LOCATED AT THE JENNER VISITORS CENTER.

			SCALE: AS NOTED	APPROVED DEPUTY CHIEF ENGR:	RUSSIAN RIVER INSTREAM FLOW RESTORATION (RRIFR) PROGRAM MONTHLY SURVEY OF BEACH TOPOGRAPHY AND OUTLET CHANNEL: Oct. 17, 2019	
			DATE: AS NOTED	SUBMITTED		
			DRAWN: EKM	DESIGNED	FILE NAME:	DRAWING NUMBER
			CHECKED: JRM		CONTRACT NO. XXX	SHEET NO. 1 OF 1
NO.	DATE	BY				

\\SD-Data\Survey\Land Projects\RRIFR-EstuaryManagement\AnnlMonitoring_P1N73338.dwg 2/19/2019\SandBar101719.dwg



NOTES:
 1. VERTICAL DATUM FOR THIS SURVEY IS BASED UPON THE NATIONAL GEODETIC VERTICAL DATUM OF 1929 (NGVD29), BEING THE SAME VERTICAL DATUM AS THE STAFF GAGE LOCATED AT THE JENNER VISITORS CENTER.

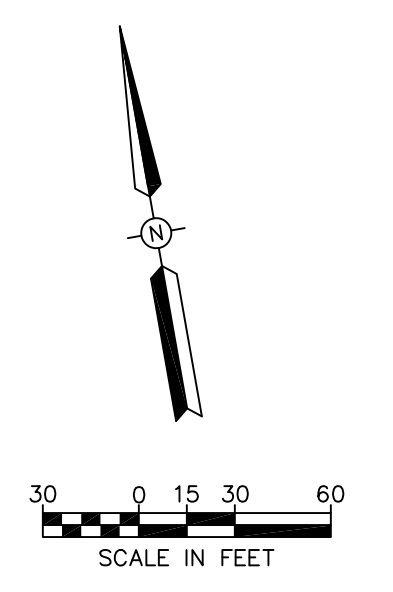
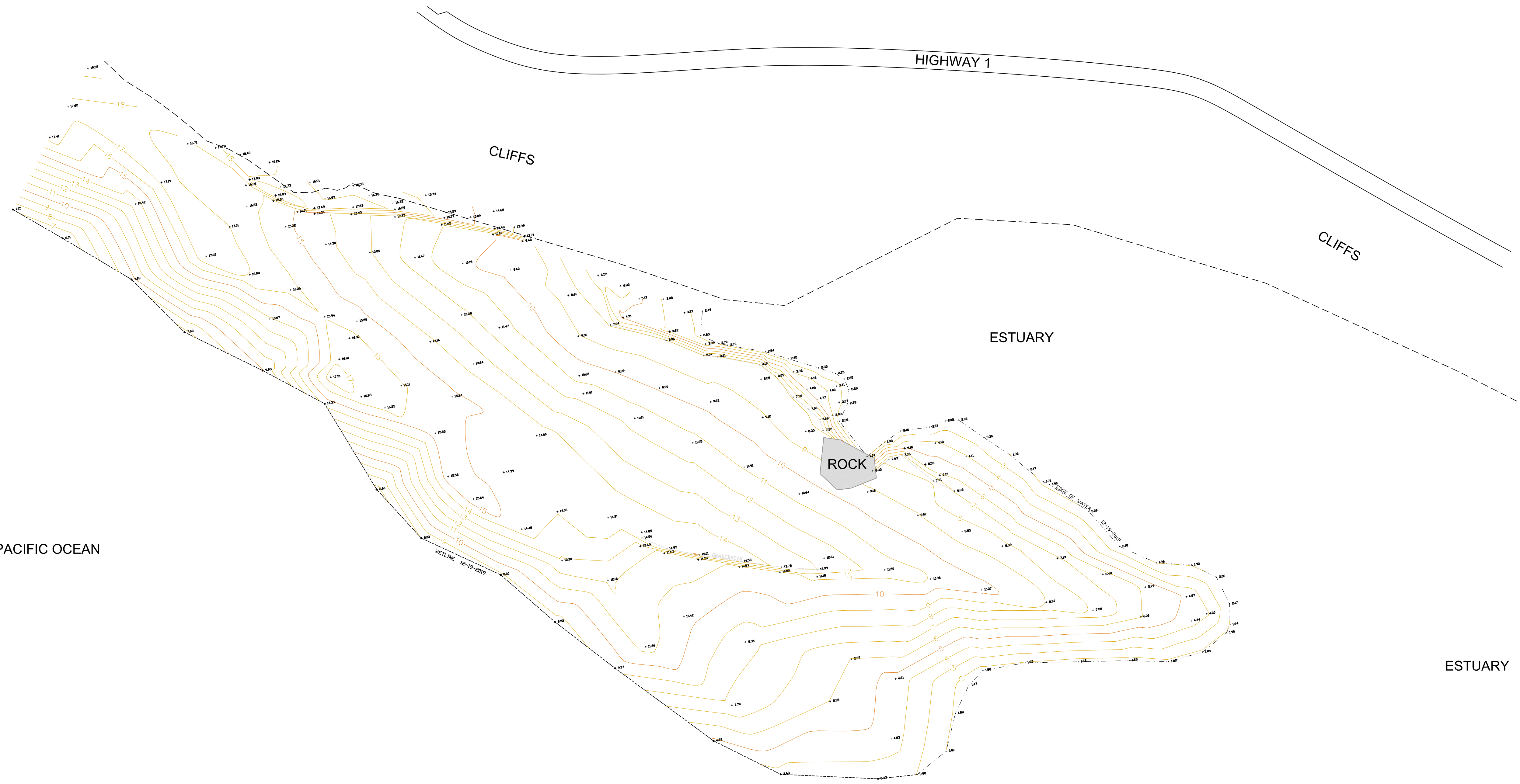
PACIFIC OCEAN

OUTLET CHANNEL

CONCRETE JETTY
 JETTY

\\SD-Data\Survey\Land Projects\RRIFR-EstuaryManagement\AnadMonitoring_P1N73338.dwg \2019\SanBon120419.dwg

			SCALE: AS NOTED	APPROVED DEPUTY CHIEF ENGR:	RUSSIAN RIVER INSTREAM FLOW RESTORATION (RRIFR) PROGRAM MONTHLY SURVEY OF BEACH TOPOGRAPHY AND OUTLET CHANNEL: Dec. 4, 2019	
			DATE: AS NOTED	SUBMITTED		
			DRAWN: EKM	DESIGNED	FILE NAME:	DRAWING NUMBER
			CHECKED: JRM		CONTRACT NO. XXX	
NO.	DATE	BY				



PACIFIC OCEAN

CLIFFS

CLIFFS

ESTUARY

ROCK

ESTUARY

OUTLET CHANNEL

PACIFIC OCEAN

CONCRETE JETTY
JETTY

NOTES:
1. VERTICAL DATUM FOR THIS SURVEY IS BASED UPON THE NATIONAL GEODETIC VERTICAL DATUM OF 1929 (NGVD29), BEING THE SAME VERTICAL DATUM AS THE STAFF GAGE LOCATED AT THE JENNER VISITORS CENTER.

\\SD-Data\Survey\Land Projects\RRIFR-EstuaryManagement\AnnlMonitoring_P173338.dwg 2019\SandBar121919.dwg

				SCALE: AS NOTED	APPROVED DEPUTY CHIEF ENGR:	RUSSIAN RIVER INSTREAM FLOW RESTORATION (RRIFR) PROGRAM MONTHLY SURVEY OF BEACH TOPOGRAPHY AND OUTLET CHANNEL: Dec. 19, 2019	
				DATE: AS NOTED	SUBMITTED		
				DRAWN: EKM	DESIGNED		
				CHECKED: JRM			FILE NAME: CONTRACT NO. XXX
NO.	DATE	BY		DRAWING NUMBER		SHEET NO. 1 OF 1	